

○ Avec ou sans mécanique
 With or without mechanical elements
 Con o senza parti meccaniche
 Mit oder ohne Aggregate
 Con ó sin mecanica desmontada

| REP. | REFERENCE | PDS | NB | MZ |
|------|-----------|-----|----|---------|
| 44 | 862.7044 | 3,5 | 1 | 200/080 |
| 45 | 862.7045 | 3,5 | 1 | 200/080 |
| 46 | 862.7046 | 2,0 | 1 | 260 |
| 47 | 862.7047 | 2,0 | 1 | 260 |
| 48 | 862.7048 | 3,0 | 1 | 260 |
| 49 | 862.7049 | 3,0 | 1 | 260 |
| 50 | 862.7050 | 2,4 | 1 | 200 |
| 51 | 862.7051 | 2,2 | 1 | 200 |
| 52 | 862.7052 | 3,1 | 1 | 140 |
| 53 | 862.7053 | 3,0 | 1 | 140 |
| 54 | 862.7054 | 3,7 | 1 | |
| 55 | 862.7055 | 3,7 | 1 | |
| 56 | 862.7056 | 3,3 | 1 | 602 |
| 57 | 862.7057 | 3,3 | 1 | 601 |
| 58 | 862.7058 | 0,4 | 2 | |

| | | |
|--------------|--------------|---|
| | M 8-50 | 2 |
| | M 10-25 | 4 |
| | M 12-20 | 2 |
| | M 12-25 | 2 |
| | M 12-55 | 2 |
| | M 12x1,50-70 | 2 |
| M 12x1,50-80 | 4 | |

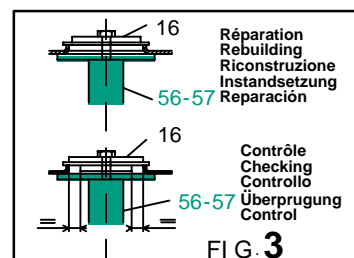
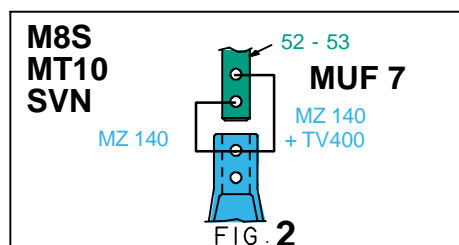
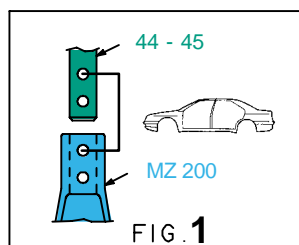
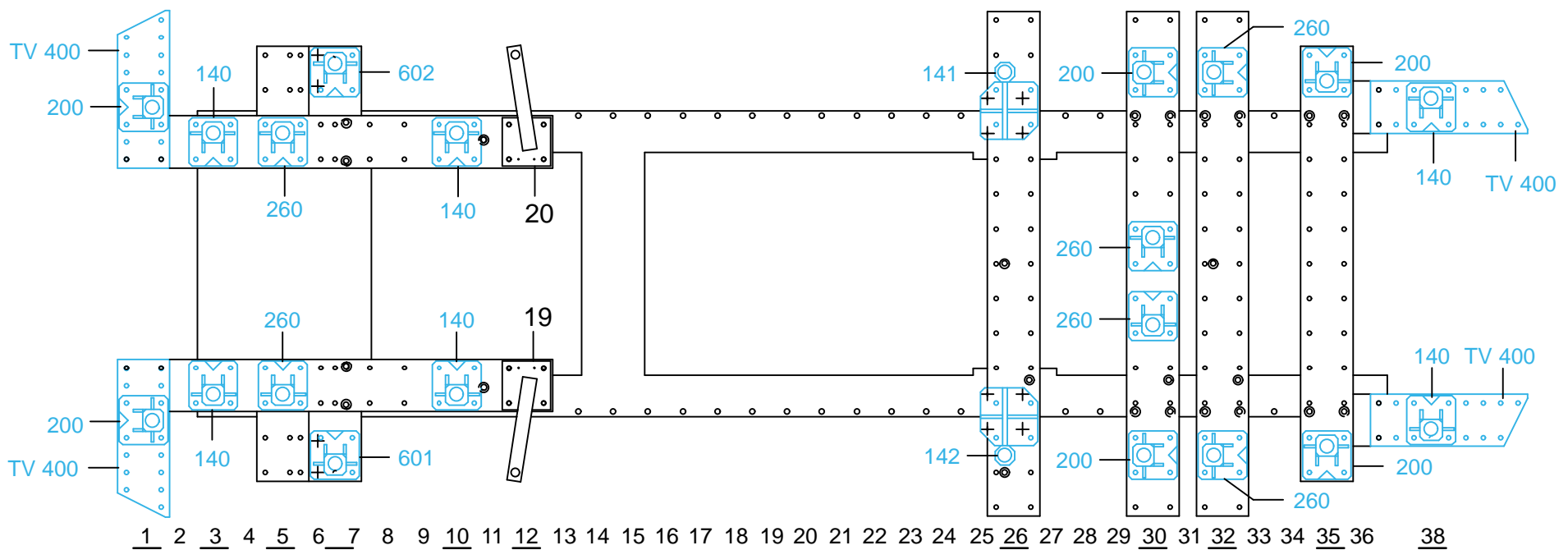
| | | |
|--|------|---|
| | M 10 | 4 |
|--|------|---|

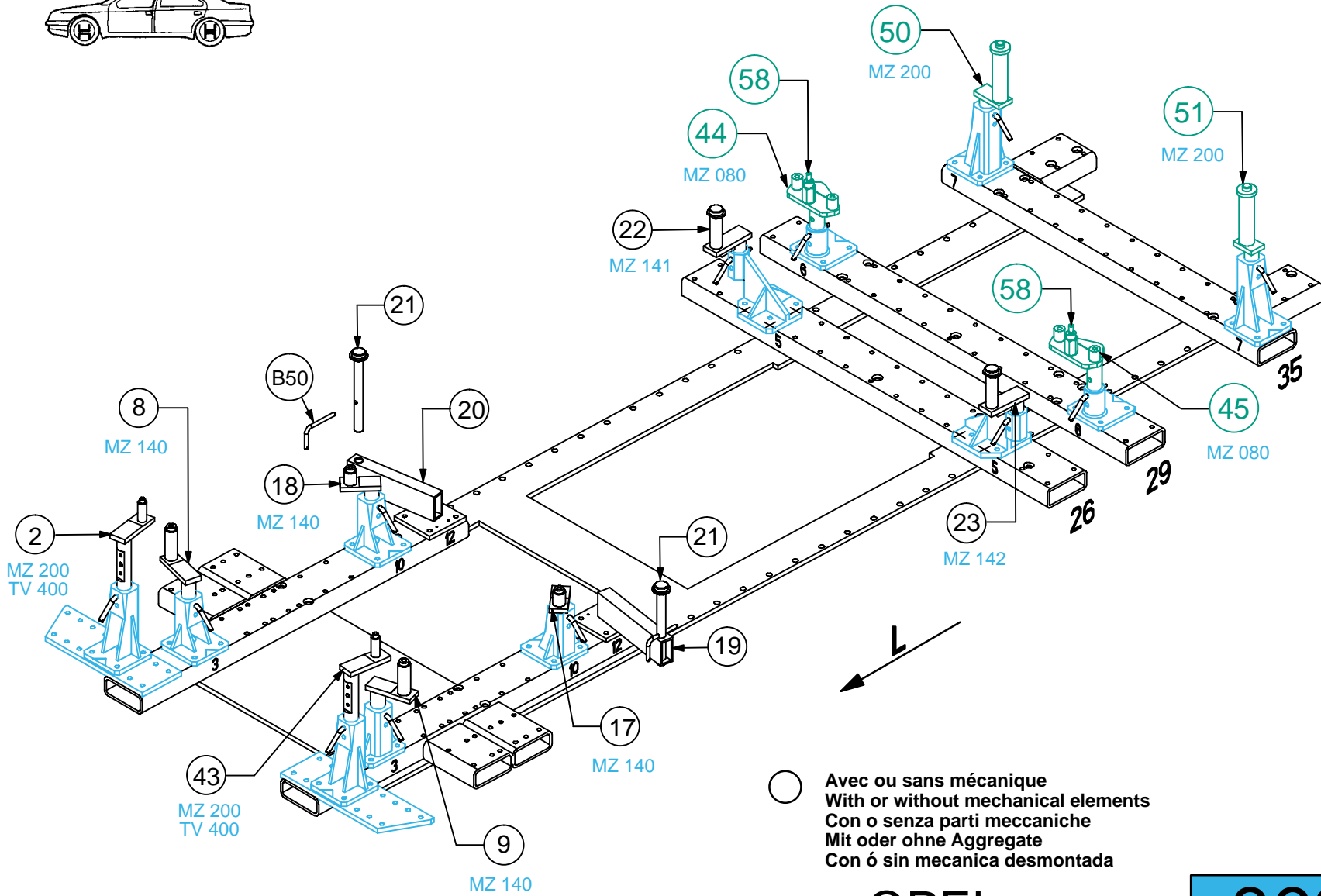
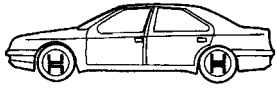
complément au
 complementary set to
 complemento al
 zusatz zu **862.310**

862.307

44 Kg 04.06.2003 422-D-25C

OPEL





OPEL

862.307

44 Kg 04.06.2003 422-D-25D

