


REP.	REFERENCE	PDS	NB
1	819.7501	3,2	1
2	819.7502	3,2	1
3	819.7503	3,0	1
4	819.7504	3,0	1
5	819.7505	2,5	1
6	819.7506	2,5	1

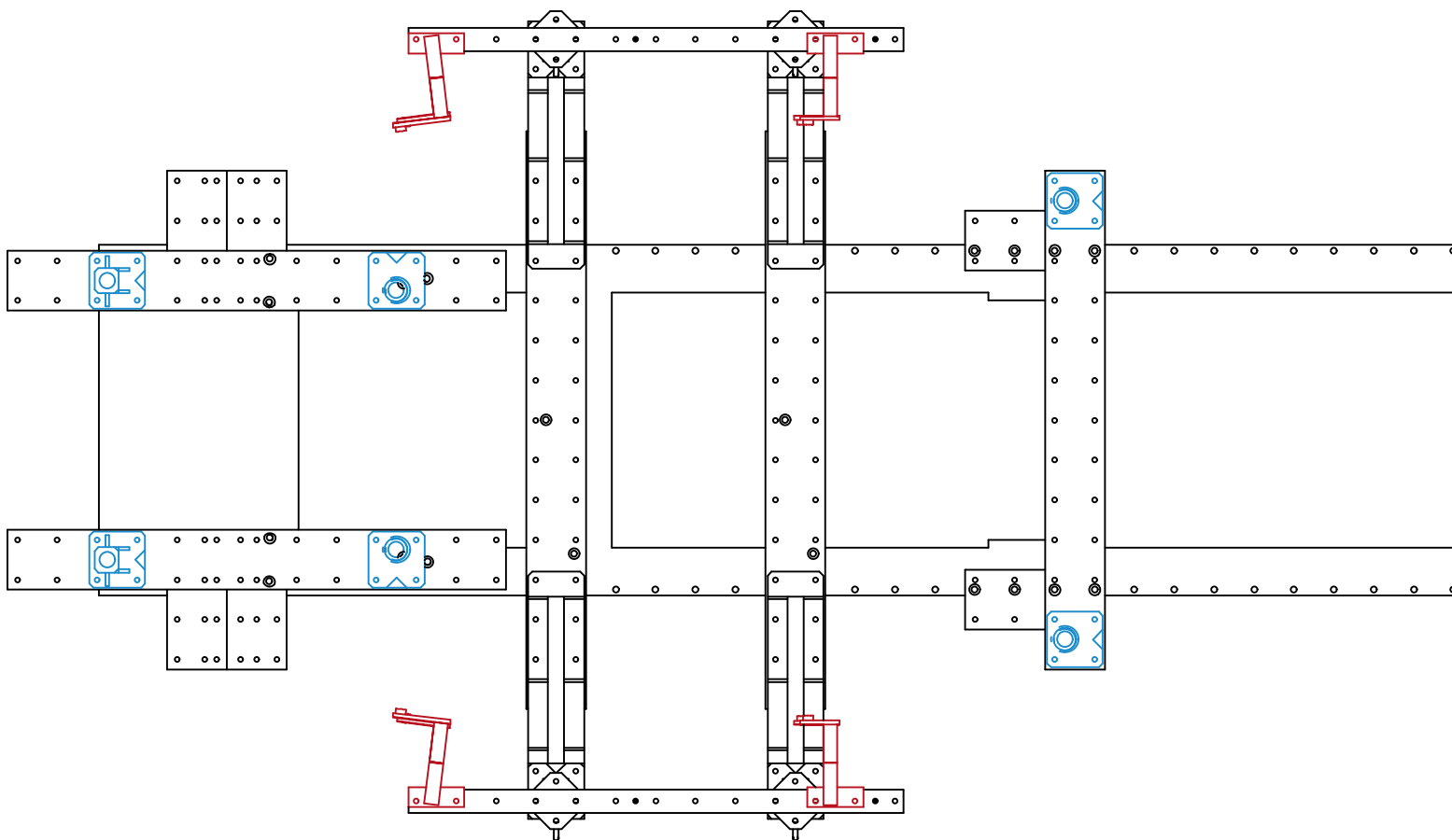
	M 8-30 M 8-35		2 4
---	------------------	--	--------

complément au
complementary set to
complemento al
zusatz zu

819.310 +
819.301 +
9113.053

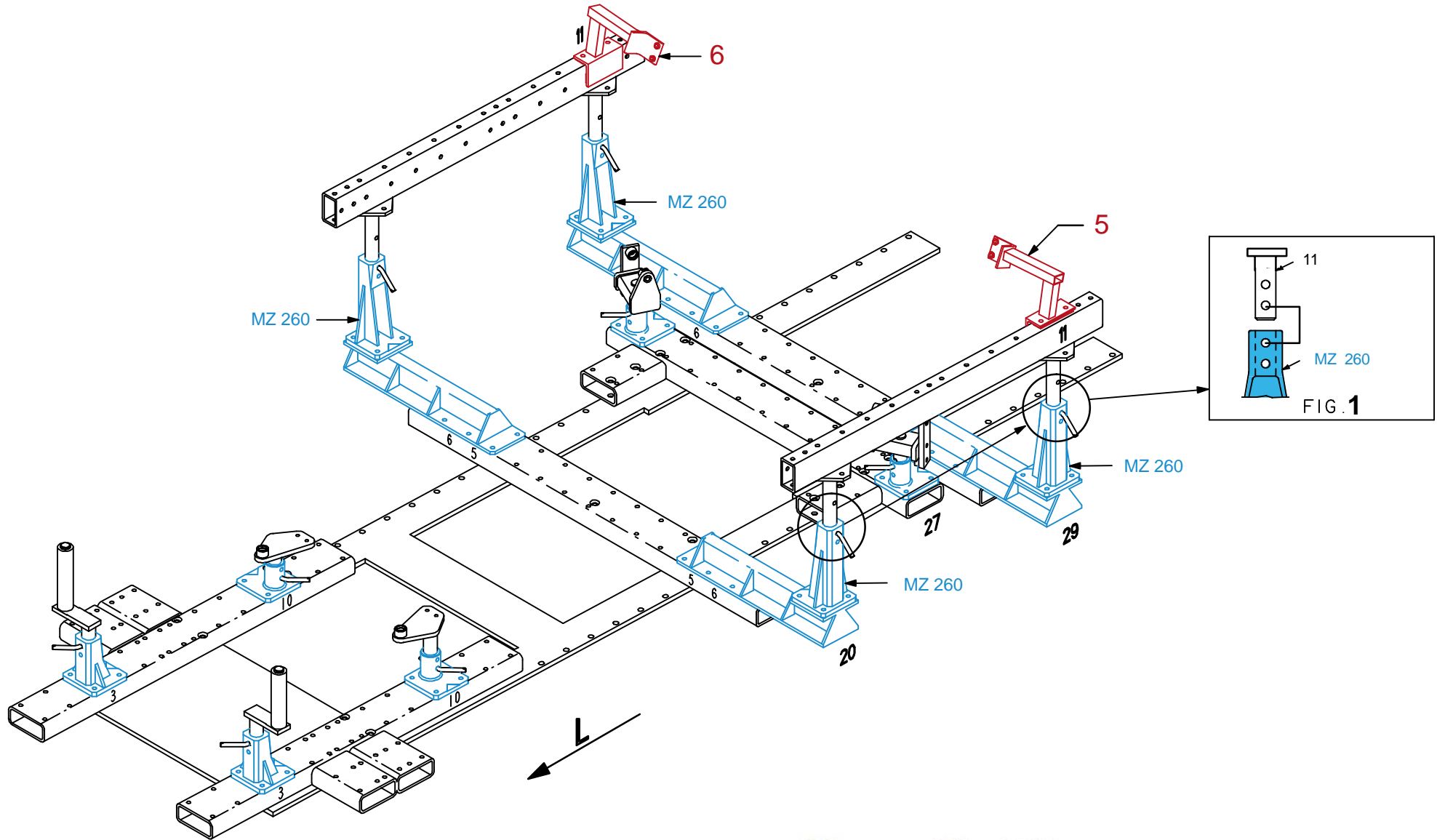
819.800

18 Kg	22.01.2007	819.800-RVA3-1
-------	------------	----------------



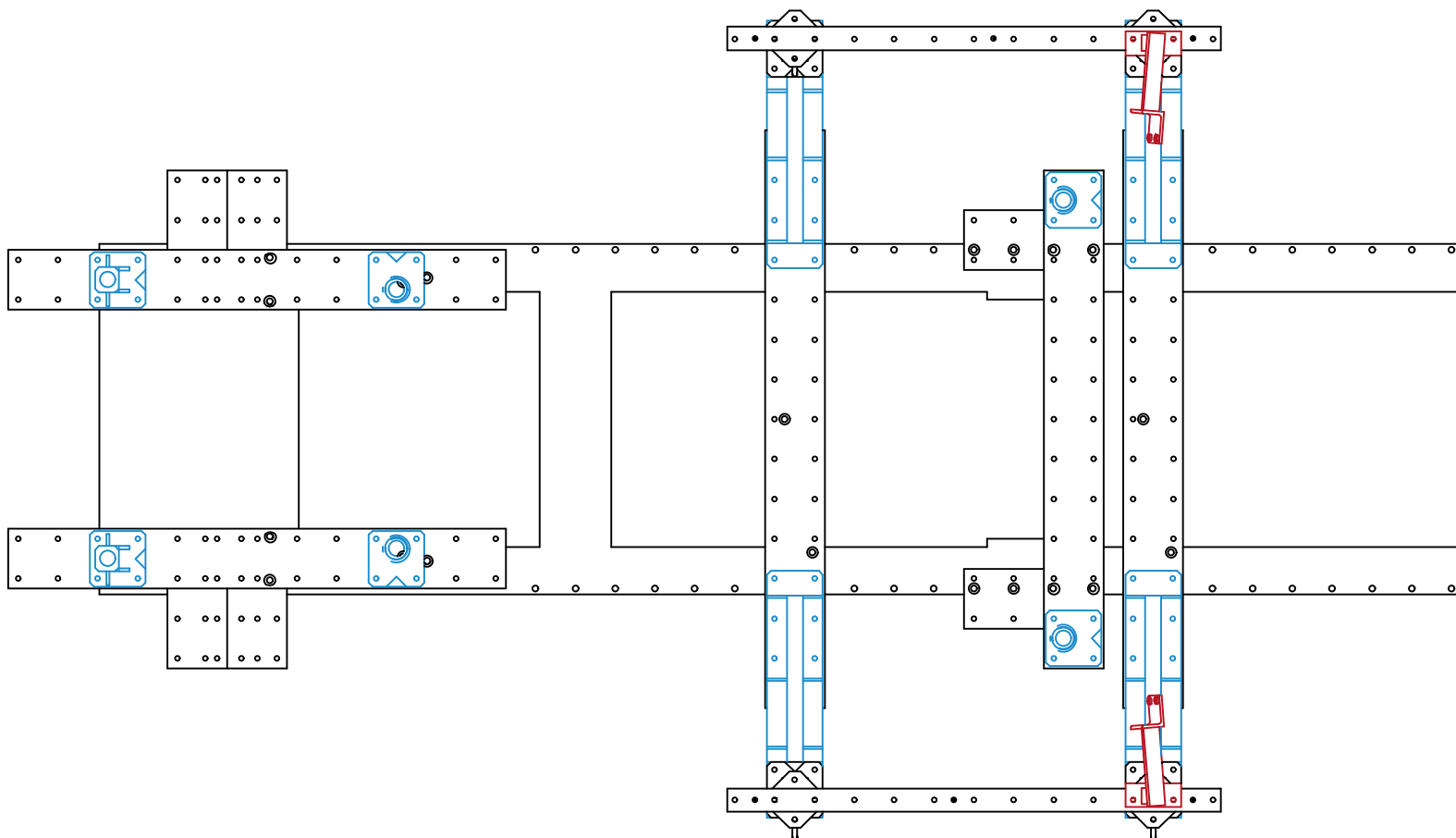
1 2 3 4 5 6 7 8 9 10 11 12 13 14 15 16 17 18 19 20 21 22 23 24 25 26 27 28 29 30 31 32 33 34 35 36

819.800-RVA3-1 00



819.800

18 Kg | 22.01.2007 | 819.800-RVA3-1



1 2 3 4 5 6 7 8 9 10 11 12 13 14 15 16 17 18 19 20 21 22 23 24 25 26 27 28 29 30 31 32 33 34 35 36

819.800-RVA3-1 | 00