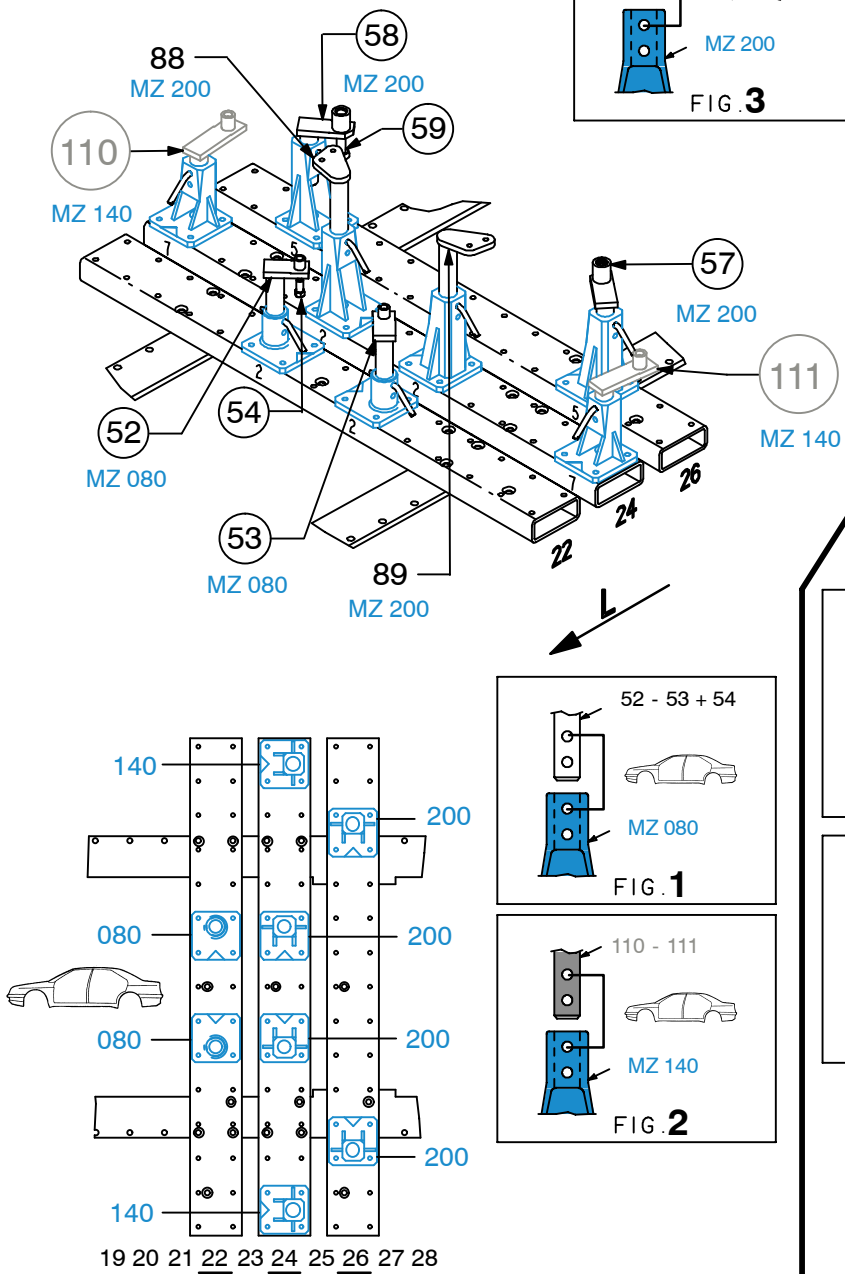
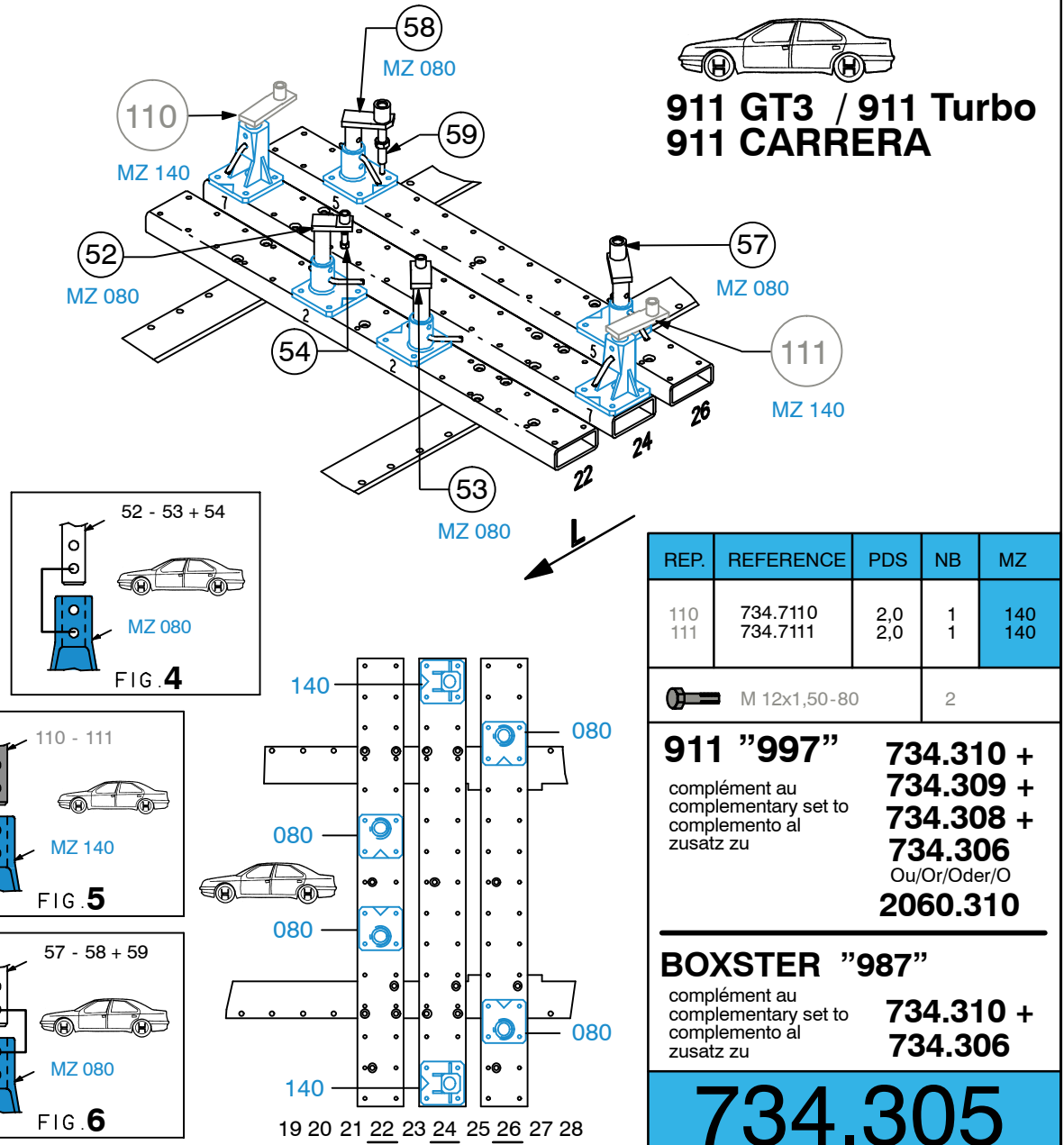


**911 GT3 / 911 Turbo  
911 CARRERA**



**911 GT3 / 911 Turbo  
911 CARRERA**



REP.	REFERENCE	PDS	NB	MZ
110	734.7110	2,0	1	140
111	734.7111	2,0	1	140
M 12x1,50-80				2

**911 "997"**  
complément au  
complementary set to  
complemento al  
zusatz zu  
**734.310 +  
734.309 +  
734.308 +  
734.306**  
Ou/Or/Oder/O  
**2060.310**

**BOXSTER "987"**  
complément au  
complementary set to  
complemento al  
zusatz zu  
**734.310 +  
734.306**

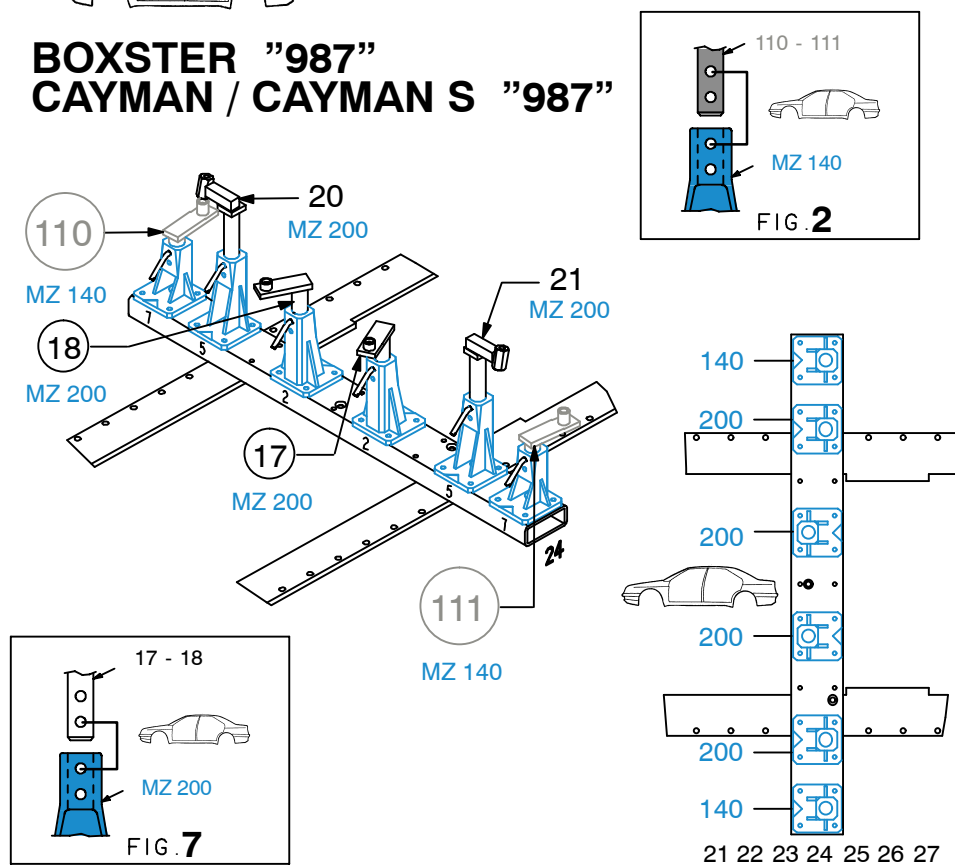
**734.305**

4,2 Kg 15.11.2007 425-D-5R

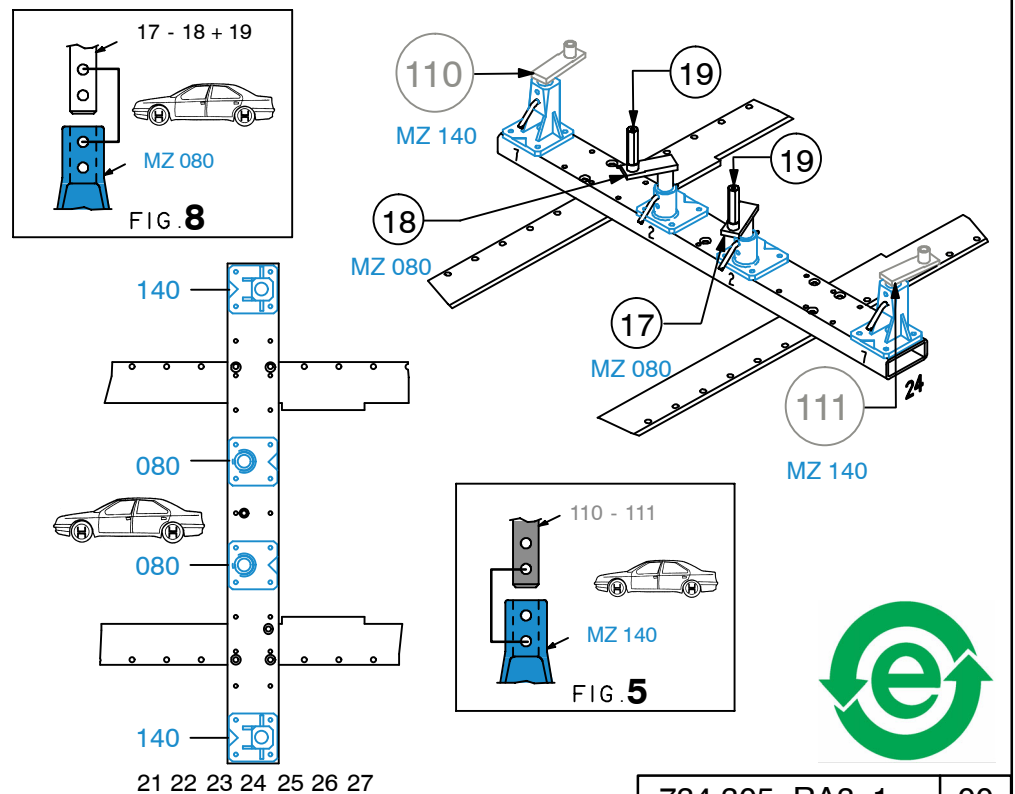
**PORSCHE**

○ Avec ou sans mécanique  
With or without mechanical elements  
Con o senza parti meccaniche  
Mit oder ohne Aggregate  
Con ó sin mecanica desmontada

**BOXSTER "987"  
CAYMAN / CAYMAN S "987"**



**BOXSTER "987"  
CAYMAN / CAYMAN S "987"**



734.305-RA3-1 00