

| REP. | REFERENCE | PDS | NB |
|------|-----------|------|----|
| 51 | 696.751 | 1,6 | 1 |
| 52 | 696.752 | 1,6 | 1 |
| 53 | 696.753 | 2,9 | 1 |
| 54 | 696.754 | 2,9 | 1 |
| 55 | 696.755 | 1,7 | 1 |
| 56 | 696.756 | 1,7 | 1 |
| 57 | 696.757 | 2,2 | 1 |
| 58 | 696.758 | 2,2 | 1 |
| 59 | 696.759 | 0,03 | 4 |

M 6-25 2
M 8-45 2

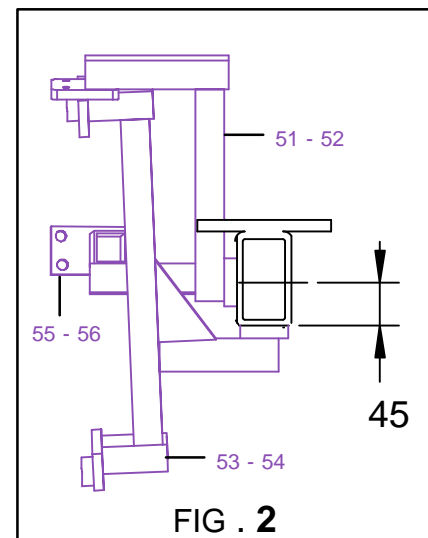
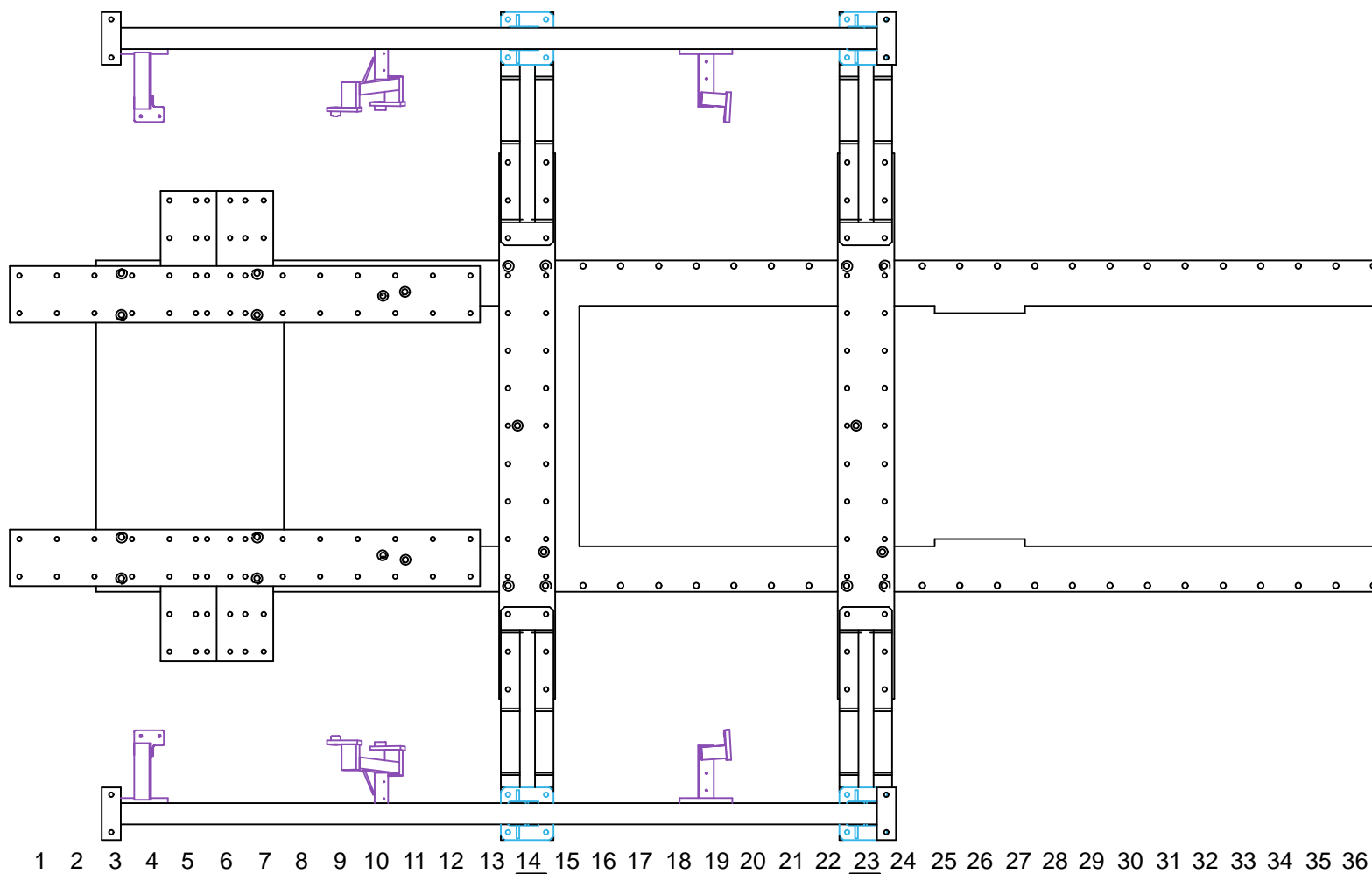
complément au
complementary set to
complemento al
zusatz zu

895.300
Ou/Or/Oder/O
696.307
+ 9113.043

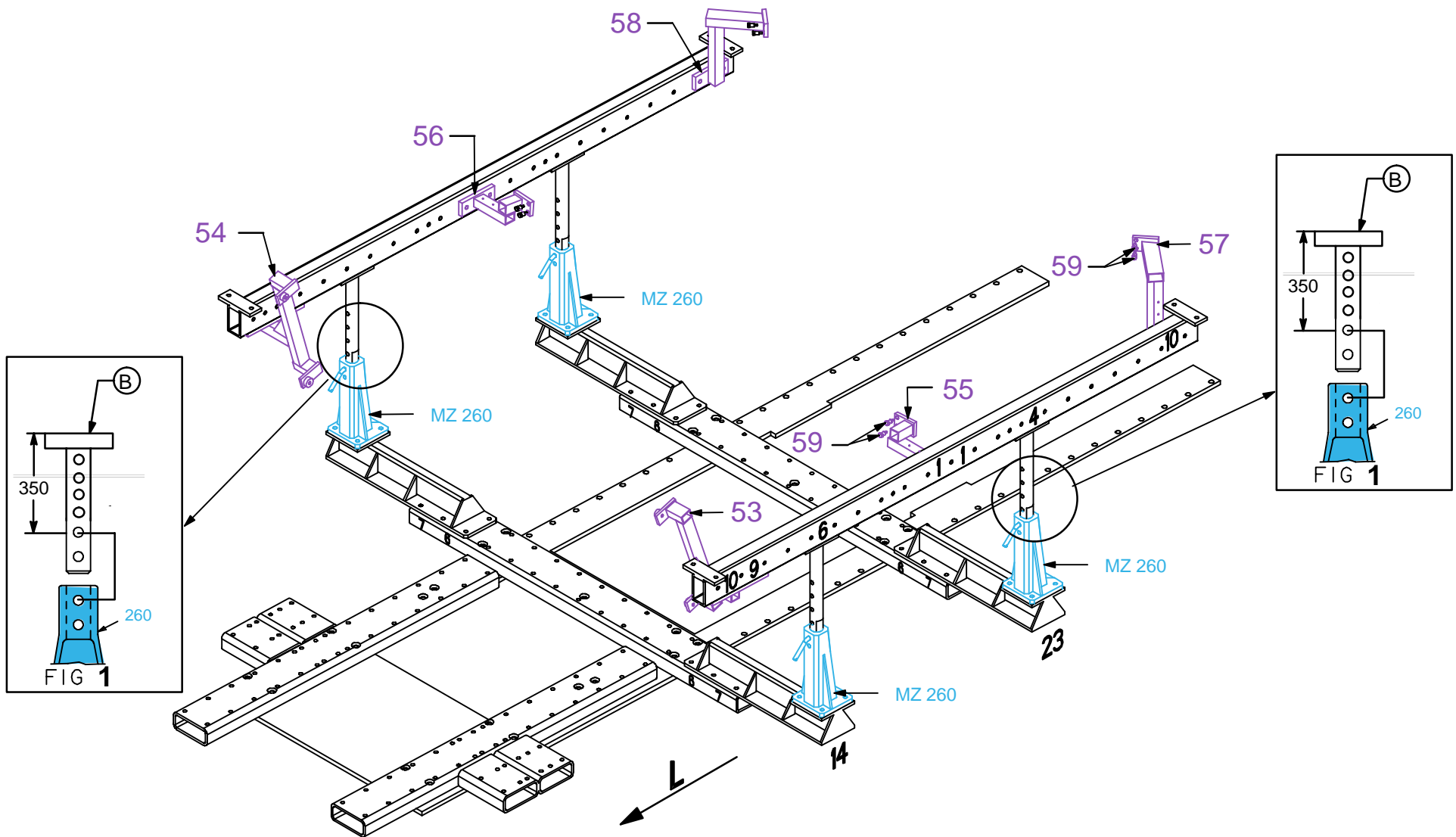
696.800

17 Kg 05.04.2002 696.800-RVA3-1

PEUGEOT / CITROEN / FIAT / LANCIA



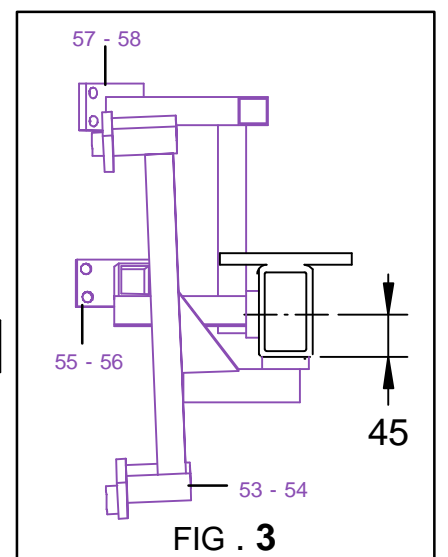
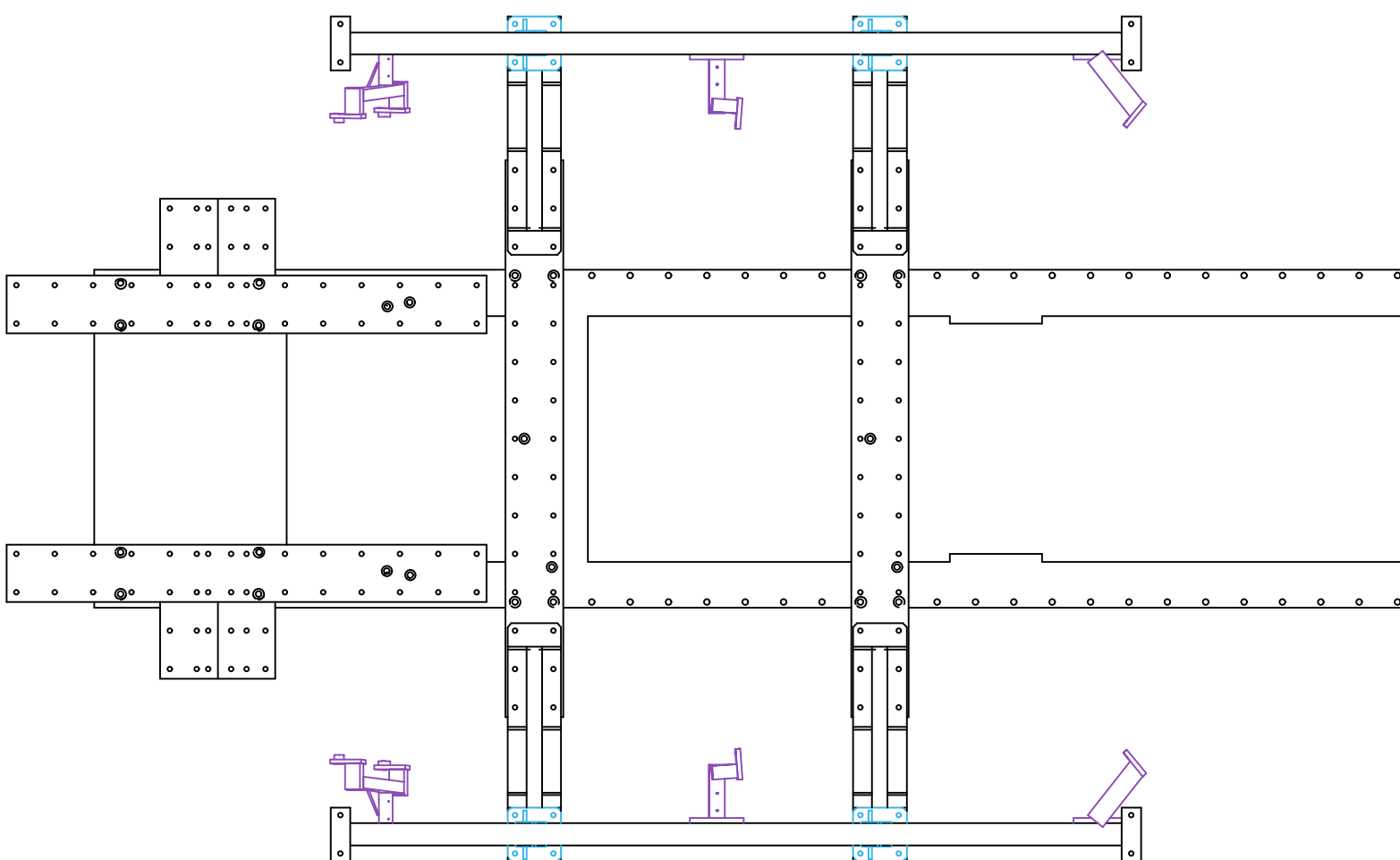
696.800-RVA3-1 00



PEUGEOT / CITROEN / FIAT / LANCIA

696.800

17 Kg | 05.04.2002 | 696.800-RVA3-1



1 2 3 4 5 6 7 8 9 10 11 12 13 14 15 16 17 18 19 20 21 22 23 24 25 26 27 28 29 30 31 32 33 34 35 36

696.800-RVA3-1 | 00