

| REP. | REFERENCE | PDS | NB | MZ |
|------|-----------|------|----|-----|
| 25 | 599.725 | 0,05 | 2 | |
| 26 | 599.726 | 3,0 | 1 | 080 |
| 27 | 599.727 | 3,0 | 1 | 080 |
| 28 | 599.728 | 1,5 | 1 | 080 |
| 29 | 599.729 | 1,5 | 1 | 080 |
| 30 | 599.730 | 0,3 | 2 | |
| 31 | 599.731 | 1,9 | 1 | 260 |
| 32 | 599.732 | 1,9 | 1 | 260 |
| 33 | 599.733 | 2,4 | 1 | 601 |
| 34 | 599.734 | 2,4 | 1 | 602 |
| 35 | 599.735 | 2,6 | 1 | 200 |
| 36 | 599.736 | 2,6 | 1 | 200 |

| | | |
|--|-------------|---|
| | M 12x35 | 2 |
| | M 12.125x35 | 6 |
| | M 14.150x20 | 2 |
| | L 14 | 2 |
| | M 12 | 2 |

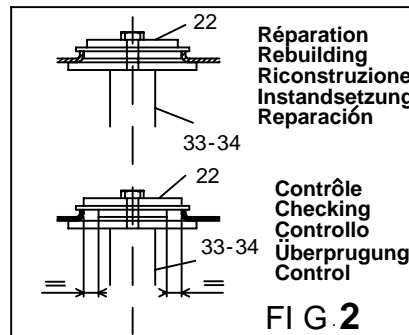
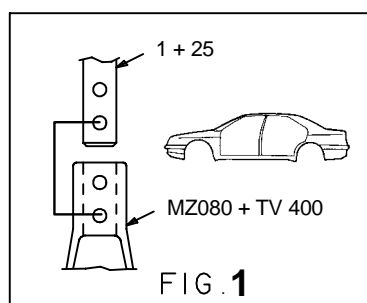
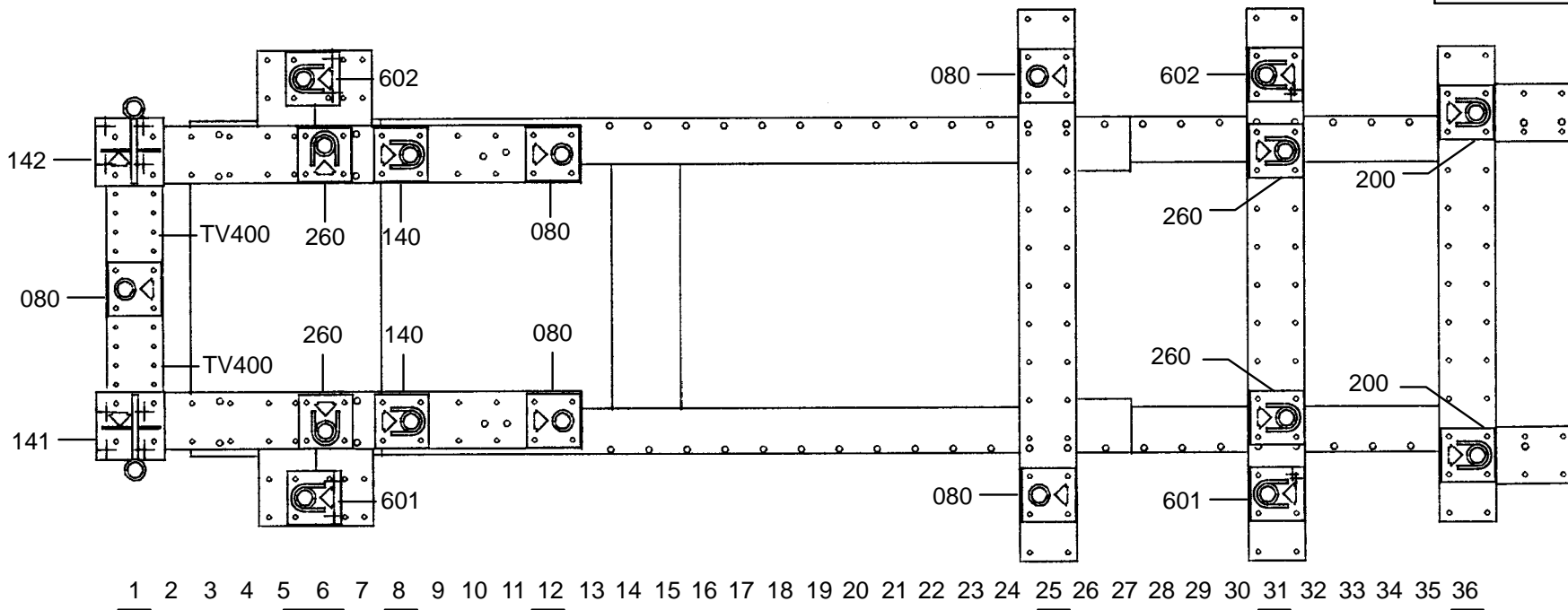
complément au
complementary set to
complemento al
zusatz zu

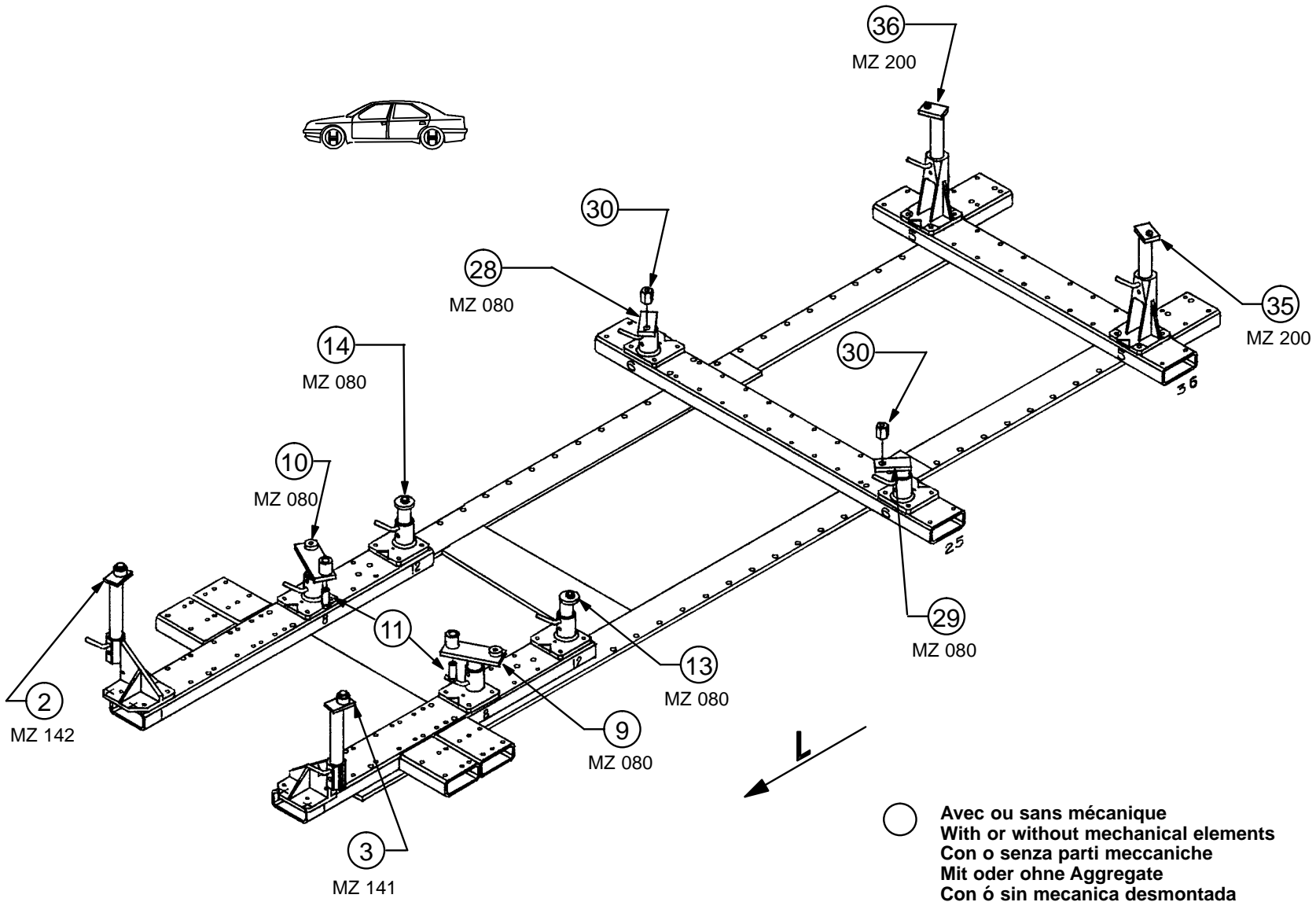
599.300

MITSUBISHI

599.309

| | | |
|-------|----------|-------------|
| 24 Kg | 18.04.91 | 421 -D- 12C |
|-------|----------|-------------|




MITSUBISHI
599.309

| | | |
|-------|----------|------------|
| 24 Kg | 18.04.91 | 421 -D-12D |
|-------|----------|------------|

