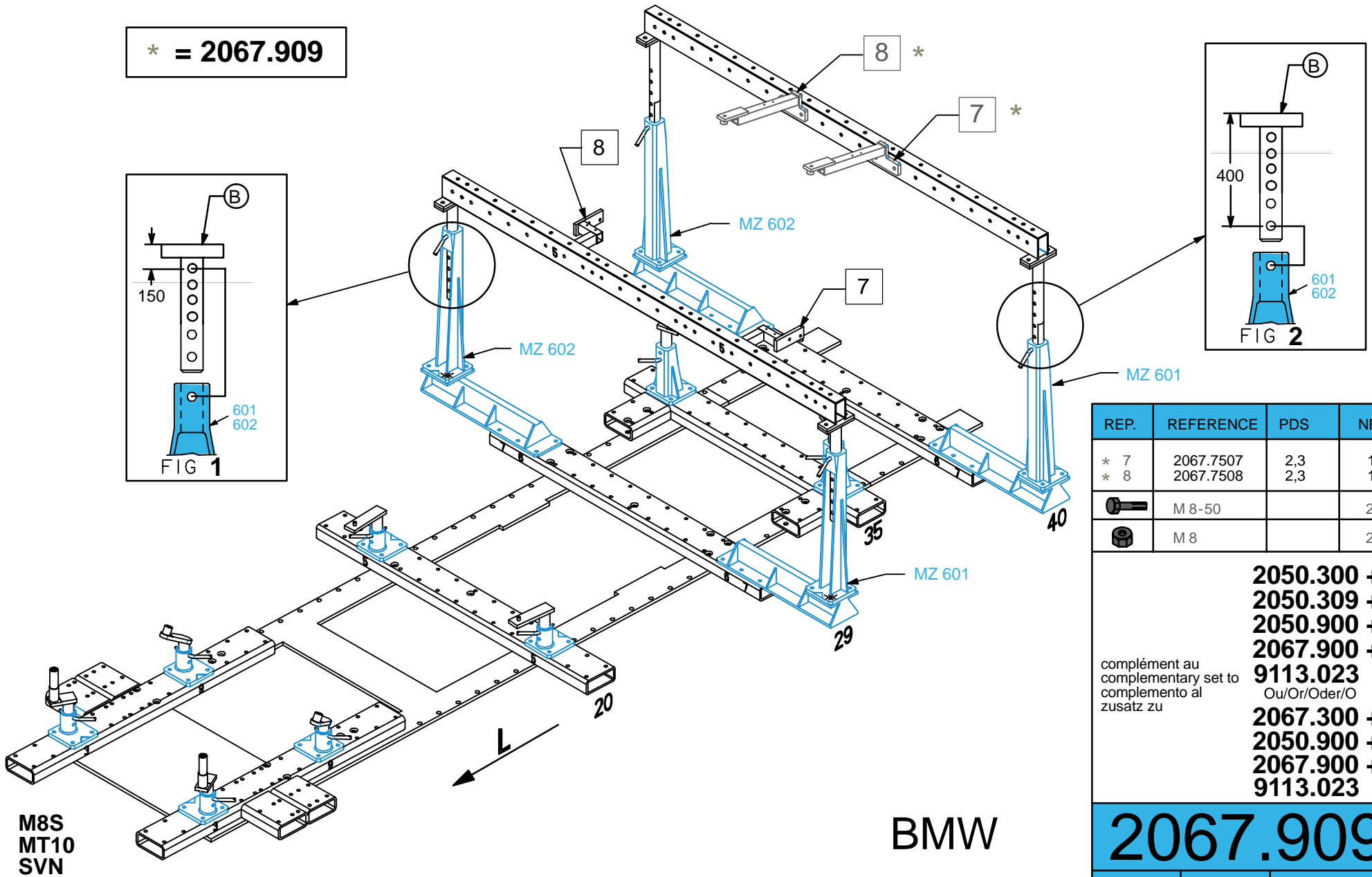


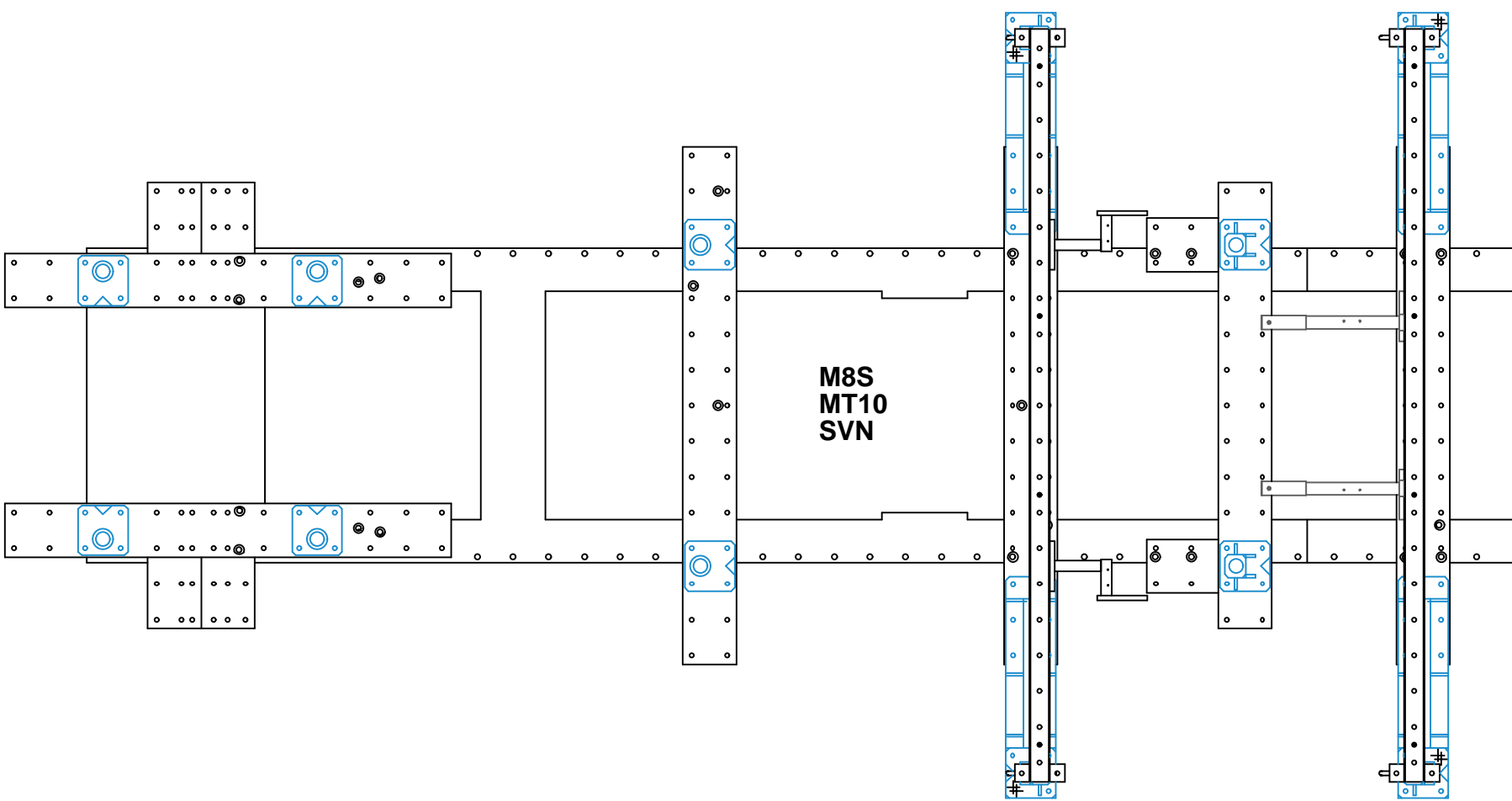
* = 2067.909



REP.	REFERENCE	PDS	NB
* 7	2067.7507	2,3	1
* 8	2067.7508	2,3	1
	M 8-50		2
	M 8		2

2050.300 +
 2050.309 +
 2050.900 +
 2067.900 +
 complément au
 complementary set to
 complemento al
 Zusatz zu
9113.023
 Ou/Or/Oder/O
 2067.300 +
 2050.900 +
 2067.900 +
9113.023

2067.909
 5 Kg | 11.04.2005 | 2067.909-RA3-1



1 2 3 4 5 6 7 8 9 10 11 12 13 14 15 16 17 18 19 20 21 22 23 24 25 26 27 28 29 30 31 32 33 34 35 36 37 38 39 40 41

2067.909-RA3-1 00