

REP.	REFERENCE	PDS	NB
29	2010.7529	3,7	1
30	2010.7530	3,7	1
31	2010.7531	3,3	1
32	2010.7532	3,3	1
33	2010.7533	3,2	1
34	2010.7534	3,2	1

	M 8-25	2
	M 8-40	2
	M 12-45	2
	M 12	2

complément au
complementary set to
complemento al
zusatz zu

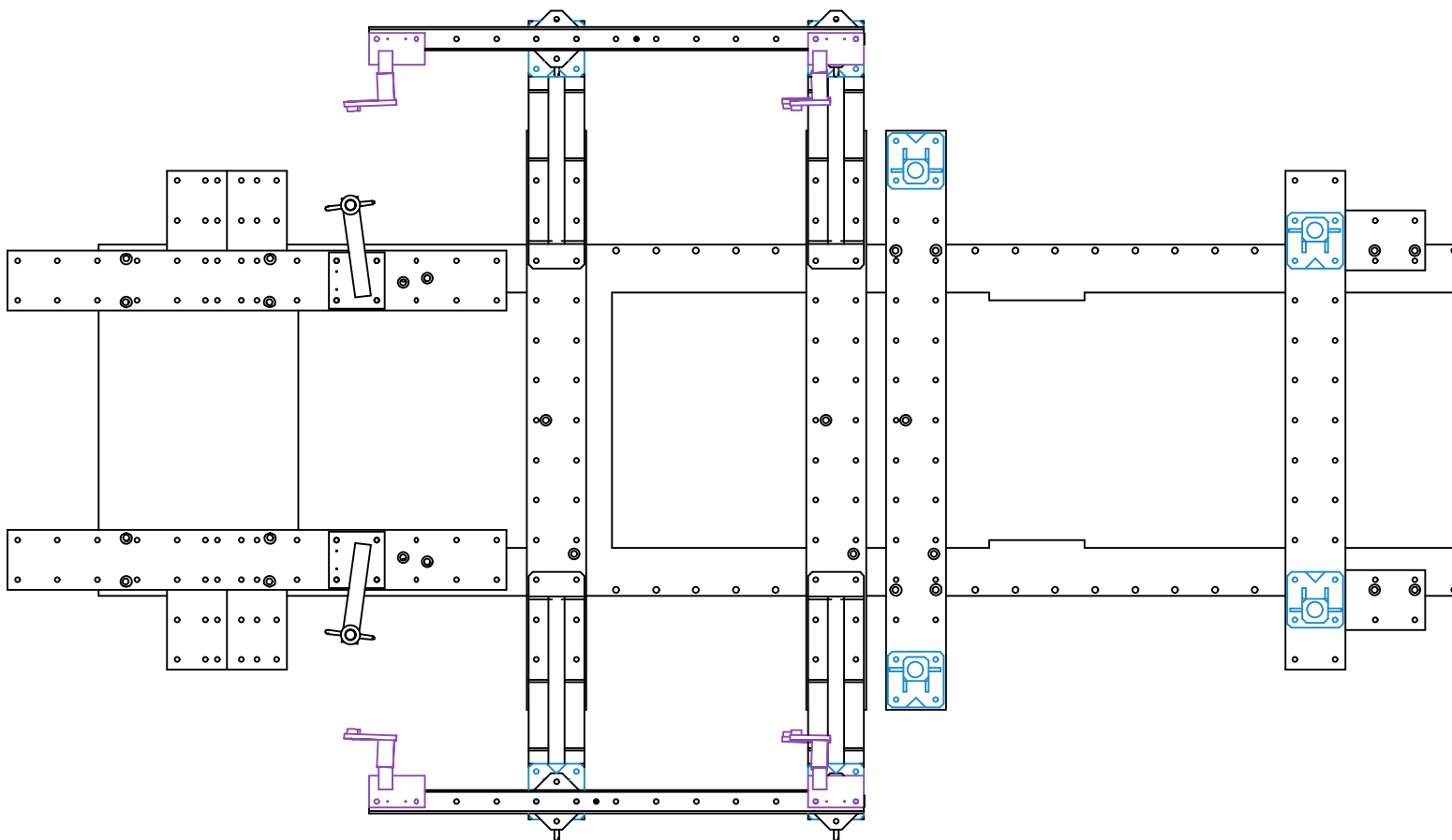
**2010.300 +
2010.309 +
2035.307 +
9113.053**
Ou/Or/Oder/O

**2035.300 +
2035.307 +
9113.053**



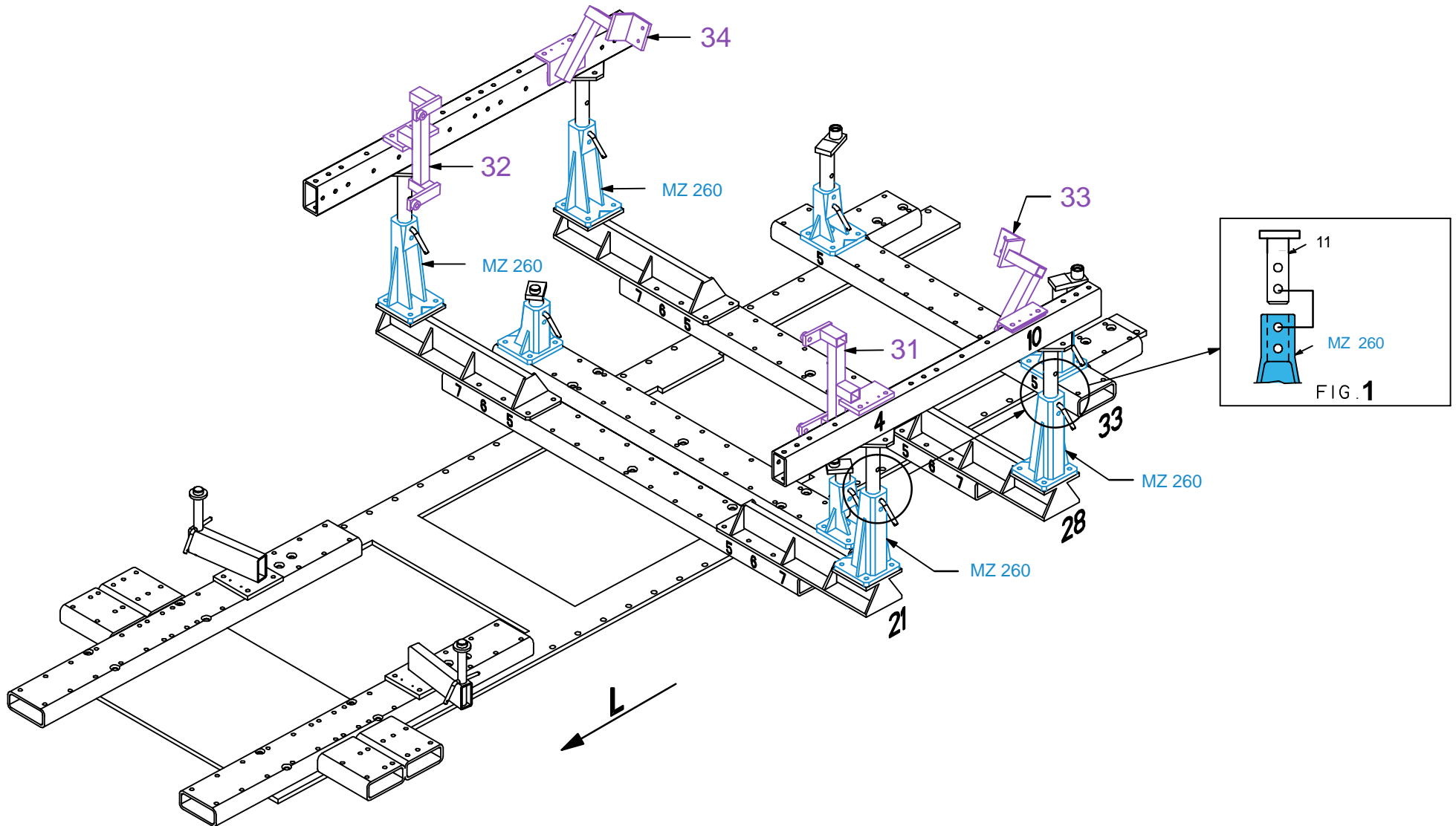
2010.850

21 Kg	06.04.2005	2010.850-RVA3-1
-------	------------	-----------------



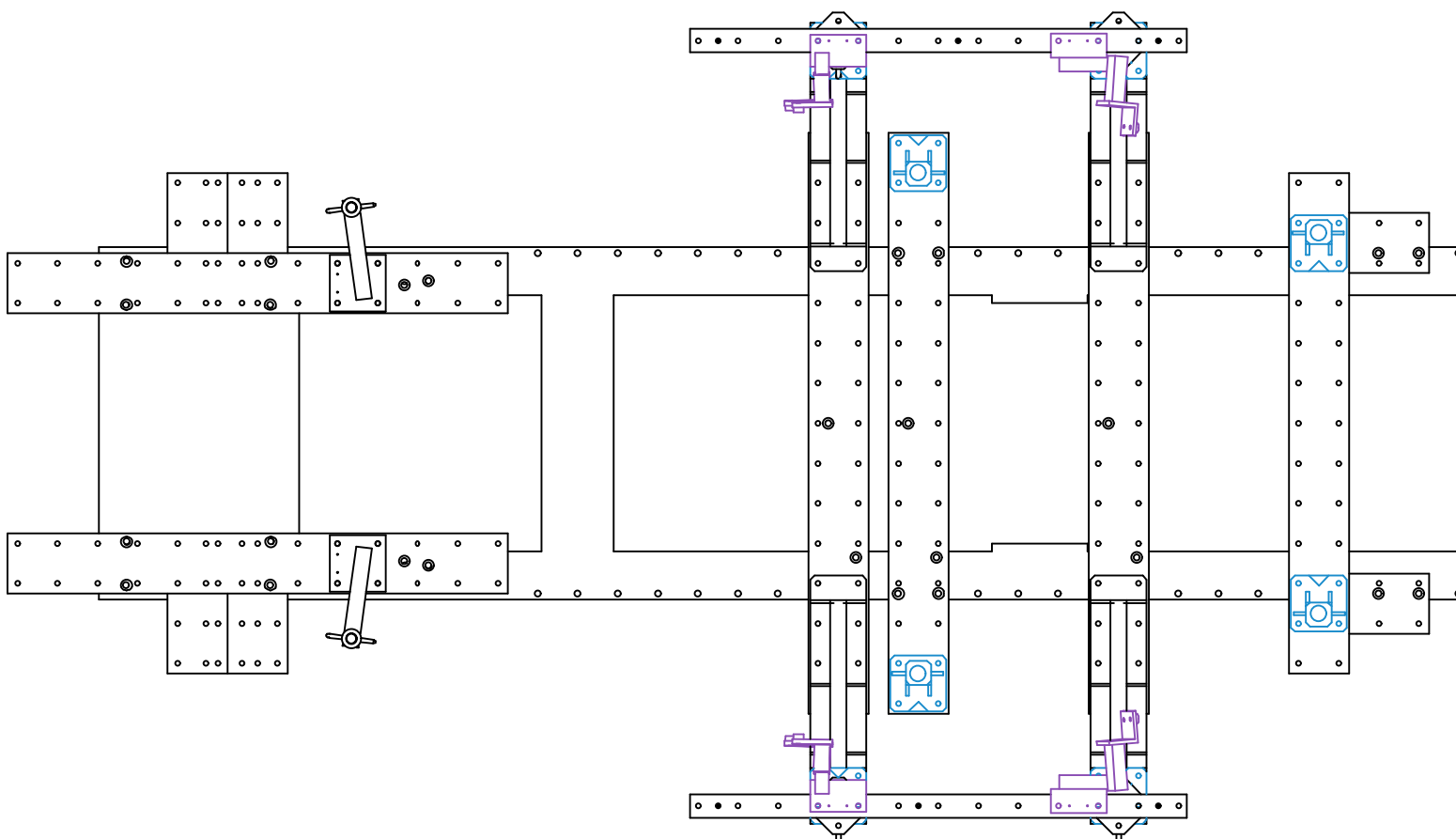
1 2 3 4 5 6 7 8 9 10 11 12 13 14 15 16 17 18 19 20 21 22 23 24 25 26 27 28 29 30 31 32 33 34 35 36

2010.850-RVA3-1 00



2010.850

21 Kg | 06.04.2005 | 2010.850-RVA3-1



1 2 3 4 5 6 7 8 9 10 11 12 13 14 15 16 17 18 19 20 21 22 23 24 25 26 27 28 29 30 31 32 33 34 35 36

2010.850-RVA3-1 | 00