

| REP. | REFERENCE | PDS | NB |
|---------|-----------|------|----|
| 1 | 2001.7501 | 2,8 | 1 |
| 2 | 2001.7502 | 2,8 | 1 |
| 3 | 2001.7503 | 4,4 | 1 |
| 4 | 2001.7504 | 4,4 | 1 |
| 5 | 2001.7505 | 0,02 | 8 |
| 6 | 2001.7506 | 3,6 | 1 |
| 7 | 2001.7507 | 3,6 | 1 |
| 8 | 2001.7508 | 0,2 | 1 |
| 9 | 2001.7509 | 3,7 | 1 |
| 10 | 2001.7510 | 3,7 | 1 |
| 11 | 2001.7511 | 0,03 | 2 |
| 12 | 2001.7512 | 0,8 | 1 |
| M 6-20 | | | 1 |
| M 8-25 | | | 2 |
| M 8-40 | | | 1 |
| M 12-25 | | | 1 |
| M 12 | | | 1 |

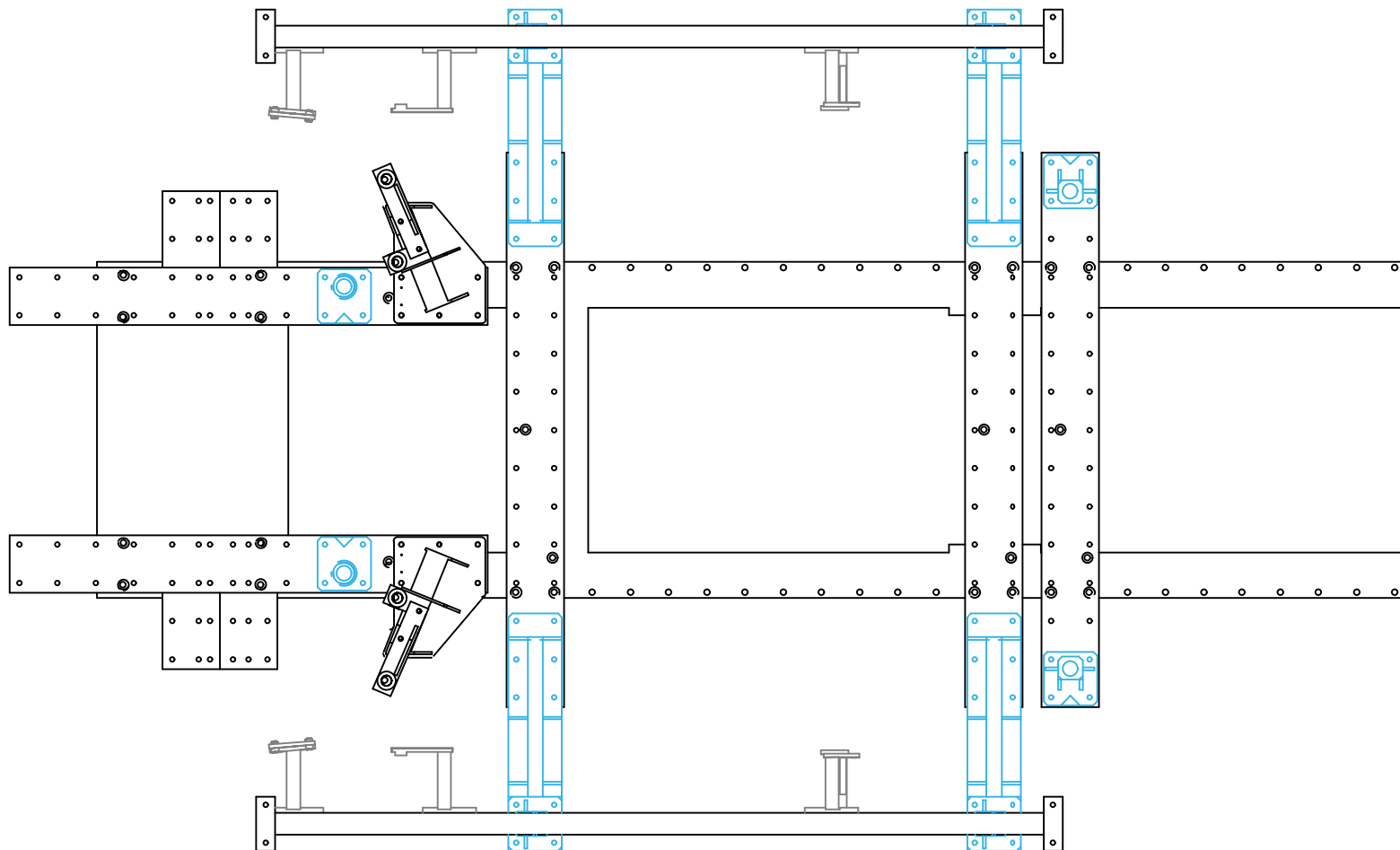
complément au
complementary set to
complemento al
zusatz zu

2001.310
+ 9113.023

PORSCHE

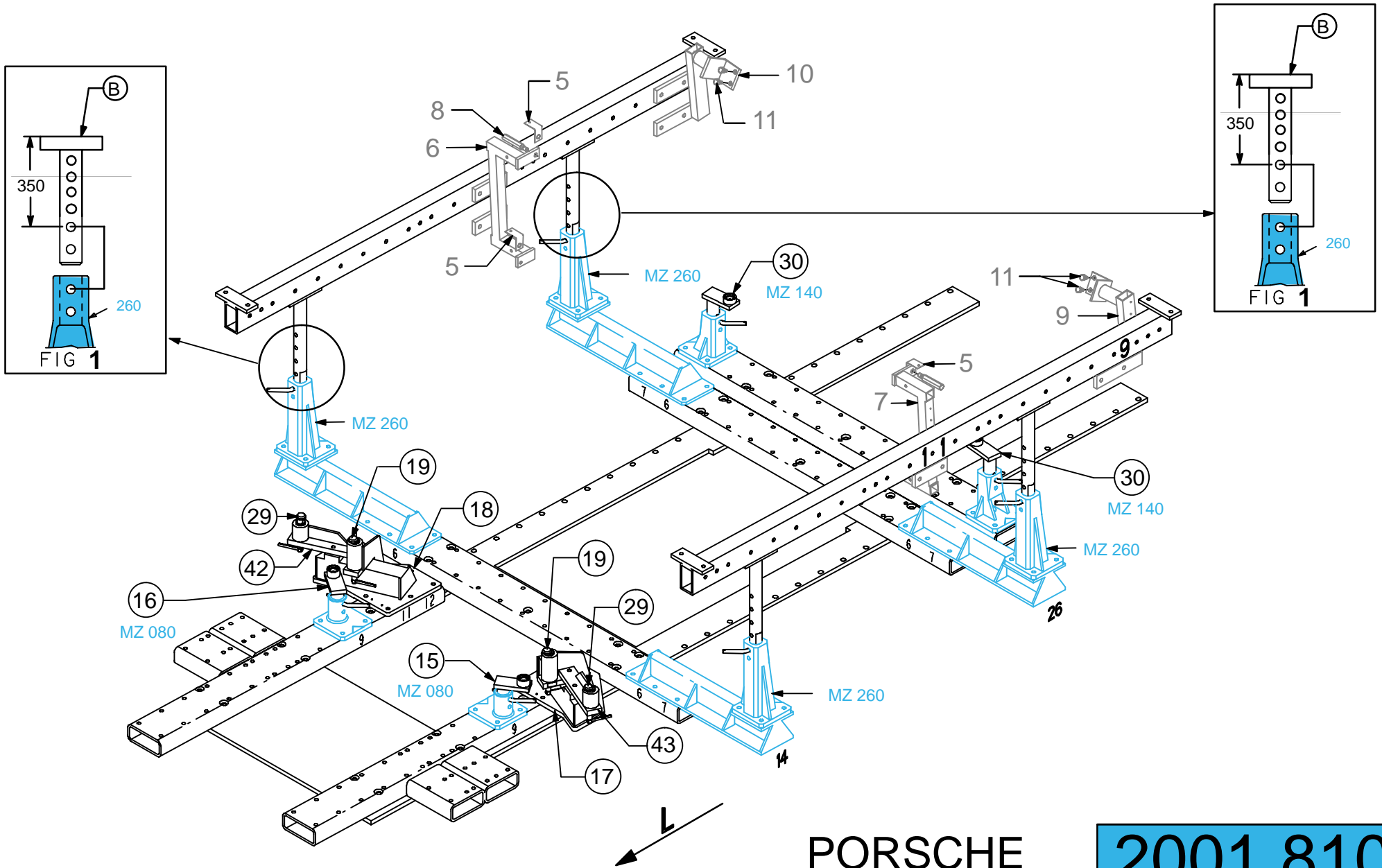
2001.810

31 Kg | 07.11.2002 | 2001.810-RVA3-1



- 1 2 3 4 5 6 7 8 9 10 11 12 13 14 15 16 17 18 19 20 21 22 23 24 25 26 27 28 29 30 31 32 33 34 35 36

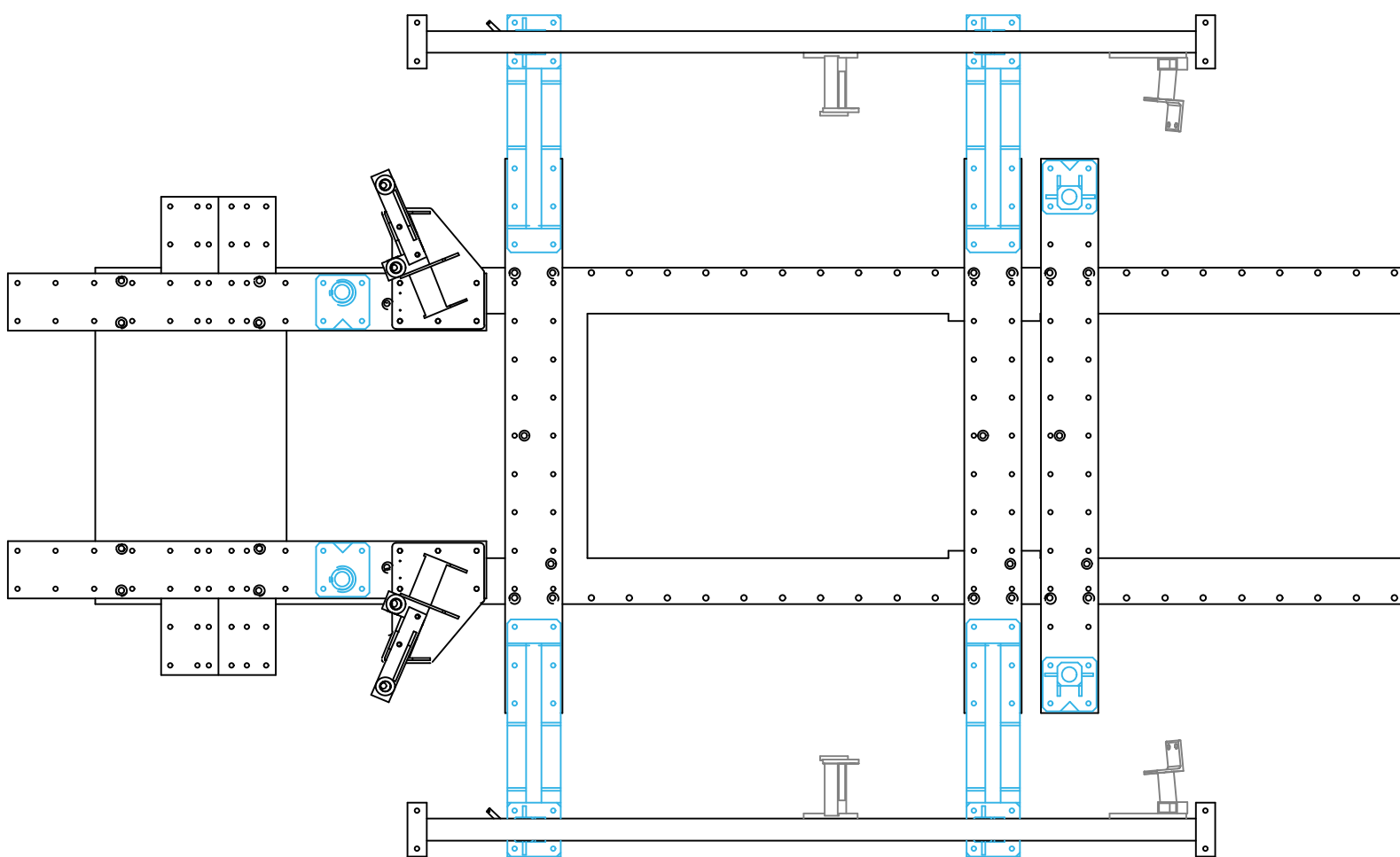
2001.810-RVA3-1 | 00



PORSCHE

2001.810

| | | |
|-------|------------|-----------------|
| 31 Kg | 07.11.2002 | 2001.810-RVA3-1 |
|-------|------------|-----------------|



- 1 2 3 4 5 6 7 8 9 10 11 12 13 14 15 16 17 18 19 20 21 22 23 24 25 26 27 28 29 30 31 32 33 34 35 36